



High-frequency transformer

EEL35 Series

Parameters/Dimensions:

EEL35 Type 1

Information:

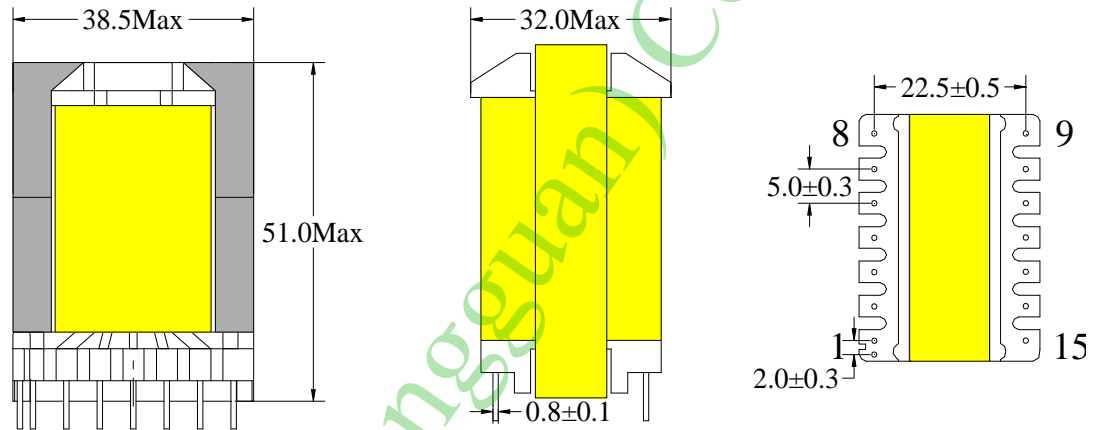
Shape:EEL35

1 Power: 40W

2 Mounting Orientation: Vertical

3 Size: 38.5 (W) *32 (L) * 51 (H)

4 Effective Ae (mm²): 62.0



Note:

Bobbin type listed in the traditional style, transformer design parameters to customer needs or to inject prevail.

EEL series high-frequency transformer features:

Lead space, easy winding wire. Applicable to a wide range of high frequency, wide operating voltage range, output power, good thermal stability.

Uses:

Widely used in PBX power, LCD power supply, UPS power inverter power supply, computer power, energy-saving lamps and other fields